

**DRAW ME CLOSE  
TOURING**  
Version: 12/1/2019  
(c) Gareth Fry

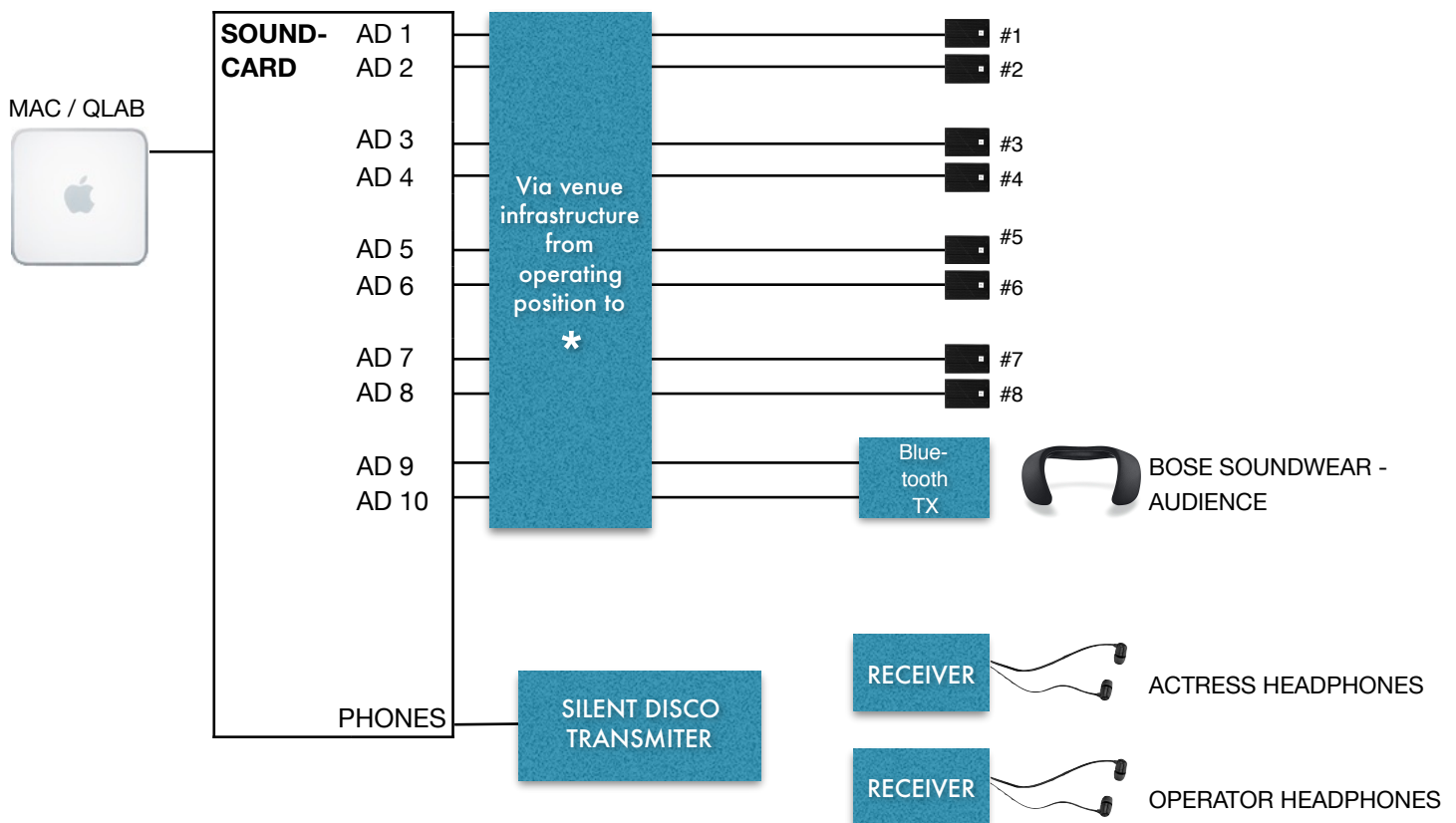


**NT will supply:**

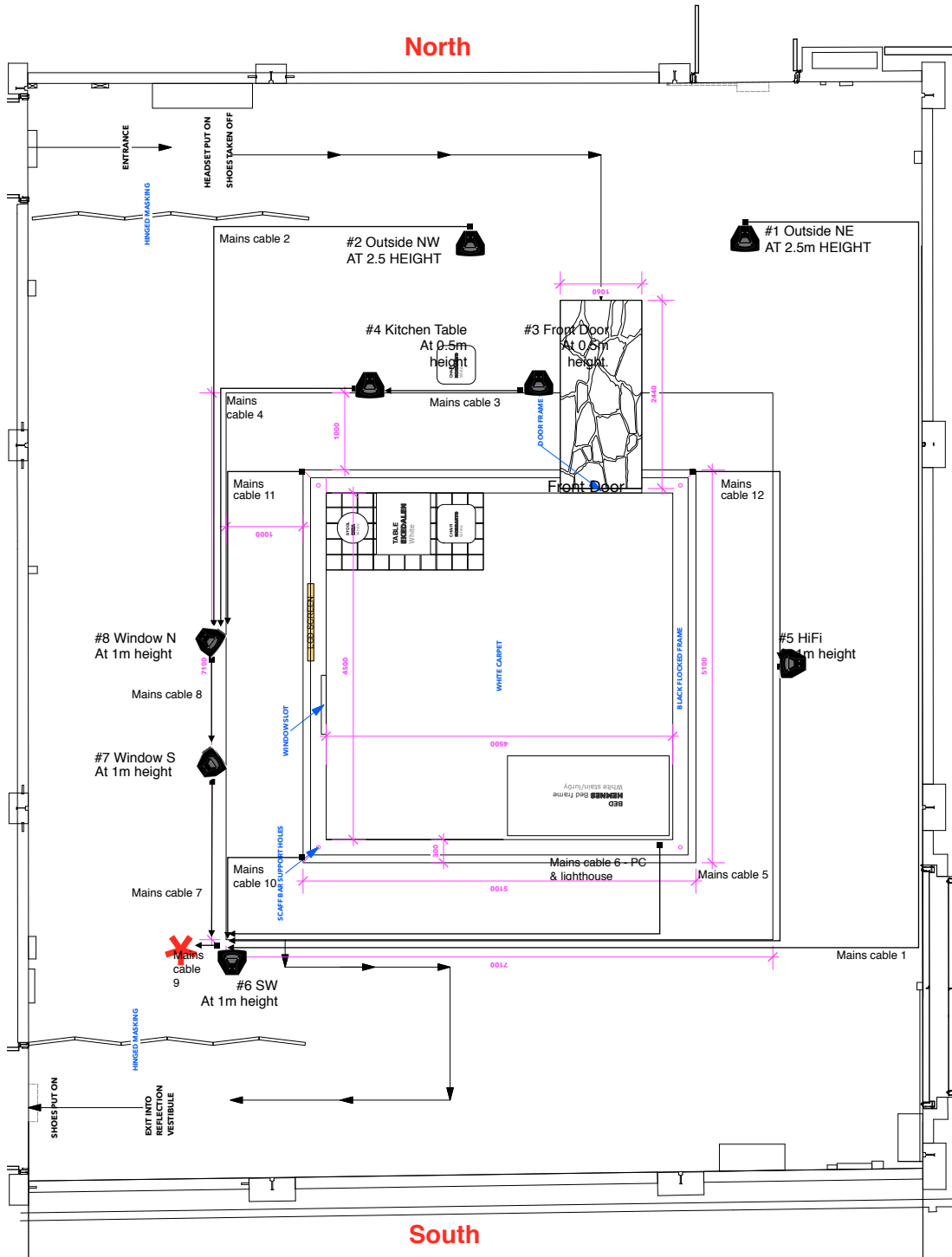
- 1 x Apple Mac running QLab v4 Pro Audio
- 1 x Focusrite Soundcard - with 10 analogue outputs
- 8 x The Box Achat 104A with mic stand adaptors
- 8 x K&M mic/speaker stands
- 1 x Silent Disco transmitter on ch.70
- 3 x Silent Disco BELTPACK receiver
- 2 x ear-bud headphones (1 for operator, 1 for actor)
- 1 x Bose Soundwear
- 1 x stereo Bluetooth transmitter

**Venue to supply:**

- 1 x 13A socket at position \* on following plan
- 10 x audio tie-lines from control position to position \* on following plan







## Cables

<b>Cable ID</b>	<b>Connector 1</b>	<b>Length</b>	<b>Connector 2</b>
Audio cable 1	XLR F	20m	XLR M
Audio cable 2	XLR F	20m	XLR M
Audio cable 3	XLR F	15m	XLR M
Audio cable 4	XLR F	11m	XLR M
Audio cable 5	XLR F	8m	XLR M
Audio cable 6	XLR F	1m	XLR M
Audio cable 7	XLR F	5m	XLR M
Audio cable 8	XLR F	5m	XLR M
Audio cable 9	XLR F	10m	phono
Audio cable 10	XLR F	10m	phono
Mains cable 1	13A plug	20m	2-way 13A socket
Mains cable 2	13A plug	10m	4-way 13A socket
Mains cable 3	13A plug	3m	6-way 13A socket
Mains cable 4	13A plug	10m	4-way 13A socket
Mains cable 5	13A plug	10m	4-way 13A socket
Mains cable 6	13A plug	10m	6-way 13A socket
Mains cable 7	13A plug	3m	6-way 13A socket
Mains cable 8	13A plug	2m	6-way 13A socket
Mains cable 9	13A plug	1m	6-way 13A socket
Mains cable 10	13A plug	3m	2-way 13A socket
Mains cable 11	13A plug	3m	2-way 13A socket
Mains cable 12	13A plug	5m	2-way 13A socket

